

# IP30

## Insert phone

#8101884 (10 ohm), #8101891 (50 ohm), #8108559 (Contra-Lateral)

The Gold  
Standard

of Audiometric Transducers

### Features

- RoHS compatible
- Robust and durable design
- Easy to use
- AEP and Contra-Lateral versions available
- Secured plug design
- Lightweight and compact

### IP30 Insert Phone

The IP30 Insert phone from RadioEar has been designed to meet the ISO 389-2 standard and matches the performance of the most popular insert phones used in the industry today. These devices have proved to be quite accurate in a variety of testing conditions and are very effective in filtering out unwanted background noise. This makes them an ideal choice for non-ideal examination settings. Additionally the RadioEar IP30 Insert Phone does not require the use of bulky uncomfortable headbands.

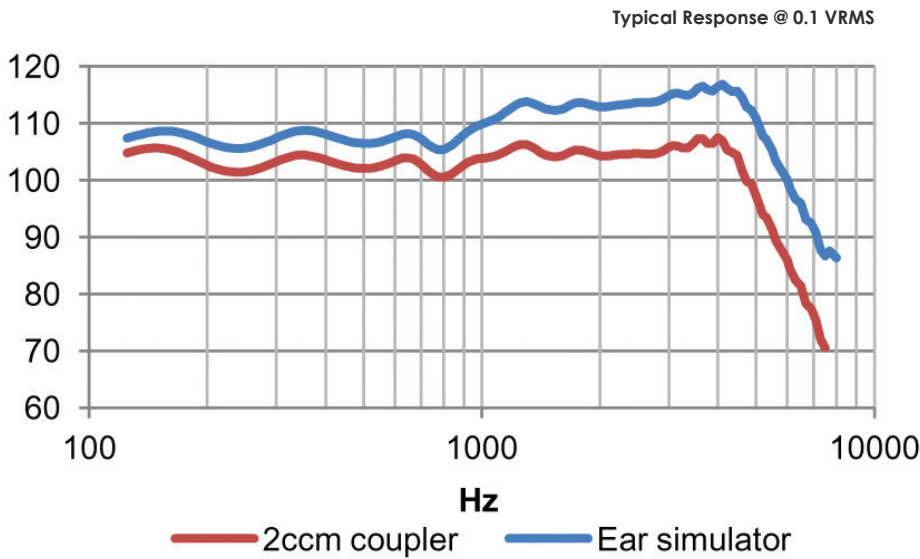
The RadioEar IP30 Insert Phone is available in 10 ohm and 50 ohm impedances, as well as versions designed for use in AEP and contra-lateral applications.

### Benefits

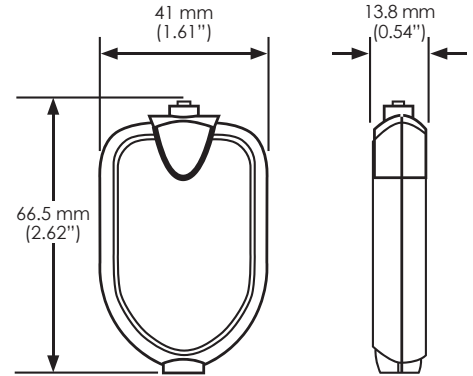
- Ideal for testing in non-ideal surroundings.
- Easy mounting of transducers without the use of a headband.
- Uses widely available disposable foam ear inserts.

# IP30

# Technical Specifications



## Dimensions



The RadioEar IP30 is ideal for testing in non-ideal surroundings. It is light weight and offers accurate and reliable testing without the use of a headband.

## Technical Specifications

<b>Standards:</b>	ANSI S3.6 2010; ISO 389-2 1994
<b>Nominal Impedance:</b>	10 ohm and 50 ohm
<b>Total Harmonic Distortion:</b>	<3% measured @ 500 Hz, 118.5 dB SPL
<b>Frequency Response:</b>	125 Hz - 8 kHz
<b>Sensitivity:</b>	Typical 103dB in HA-2 coupler (IEC60318-5 2006) and typical 109 dB in ear simulator (IEC60318-4 2010) @ 0.1 VRMS (10 ohm) @ 0.2 VRMS (50 ohm)
<b>Max Outputs:</b>	Meet or exceeds 110 dBHL at standard frequencies between 500 and 4000 Hz.
<b>Accuracy:</b>	±3 dB
<b>Safe Operating Limits</b>	2.5 VRMS (10 ohm) 5.0 VRMS (50 ohm)
<b>Max Peak Voltage for 1-% Duty Cycle:</b>	10 V (10 ohm) 20 V (50 ohm)
<b>Environmental:</b>	RoHS compatible, lead and nickel free
<b>Weight:</b>	18 grams (0.634 oz)

## IP30 RETSPL

Frequency Hz	HA-2 (2ccm Coupler) IEC 60318-5	Occluded Ear Simulator IEC 60318-4
125	26.0	28.0
160	22.0	24.5
200	18.0	21.5
250	14.0	17.5
315	12.0	15.5
400	9.0	13.0
500	5.5	9.5
630	4.0	7.5
750	2.0	6.0
800	1.5	5.5
1000	0.0	5.5
1250	2.0	8.5
1500	2.0	9.5
1600	2.0	9.5
2000	3.0	11.5
2500	5.0	13.5
3000	3.5	13.0
3150	4.0	13.0
4000	5.5	15.0
5000	5.0	18.5
6000	2.0	16.0
6300	2.0	16.0
8000	0.0	15.5